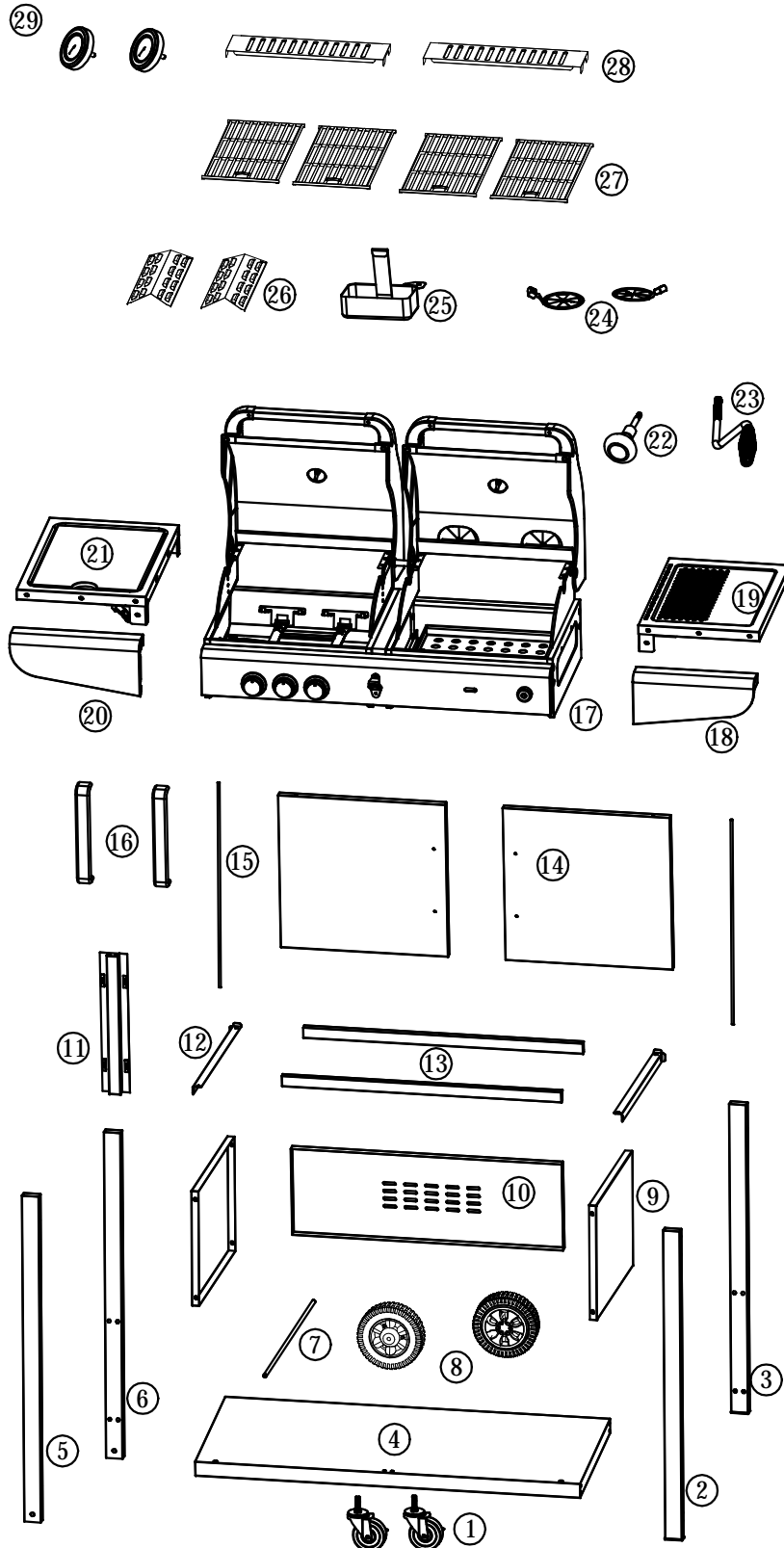
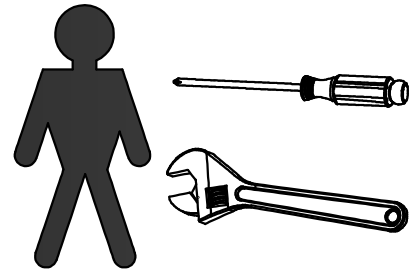
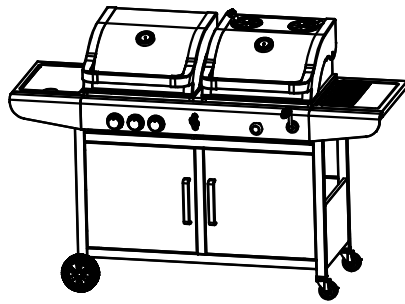
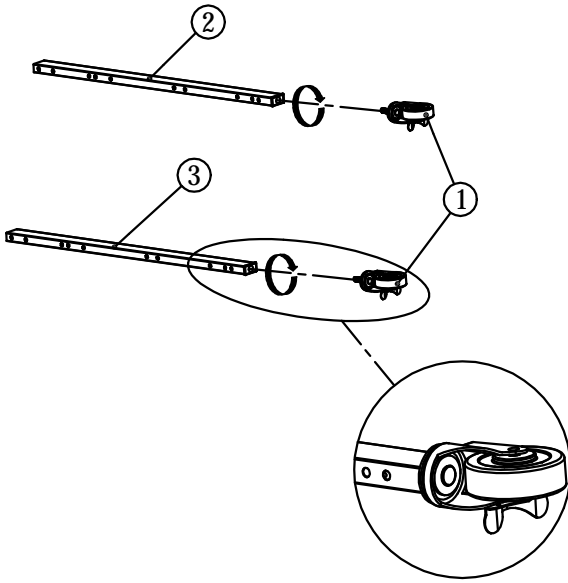


127-3-5

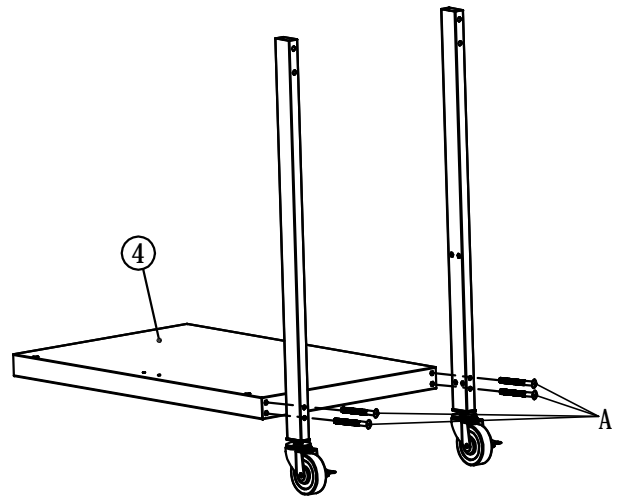


① *2 	② *1 (RF) 	③ *1 (RB)
④ *1 	⑤ *1 (LF) 	⑥ *1 (LB)
⑦ *1 	⑧ *2 	⑨ *2
⑩ *1 	⑪ *1 	⑫ *2
⑬ *2 	⑭ *2 	⑮ *2
⑯ *2 	⑰ *1 	⑱ *1
⑲ *1 	⑳ *1 	㉑ *1
㉒ *1 	㉓ *1 	㉔ *2
㉕ *1 	㉖ *2 	㉗ *4
㉘ *2 	㉙ *2 	
A М5-55*22 	B М5-10*26 	C М8-8*2
D *3 	E *2 	F *2
G *1 	H Ø28-Ø10*2 	I М8-6*4

1

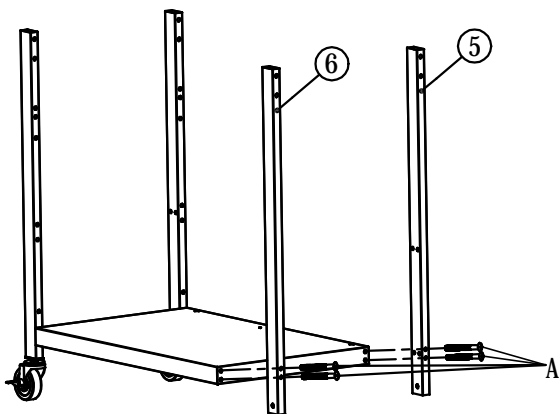


2

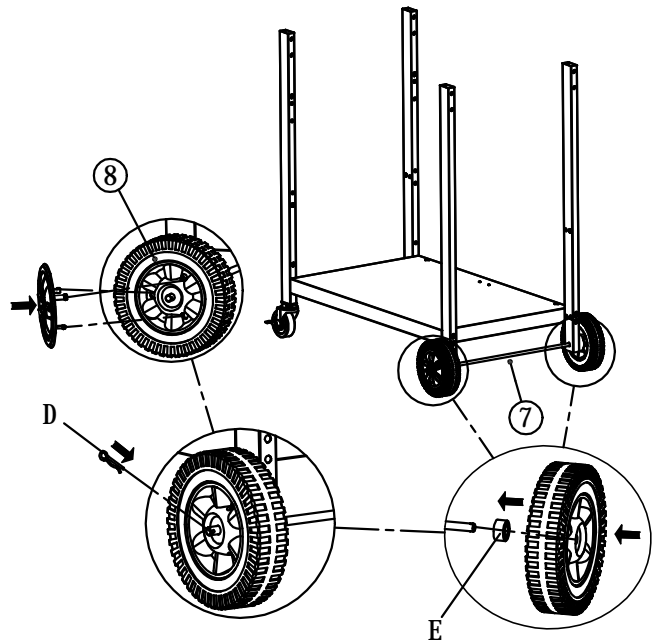


A		4PCS
---	--	------

3




4

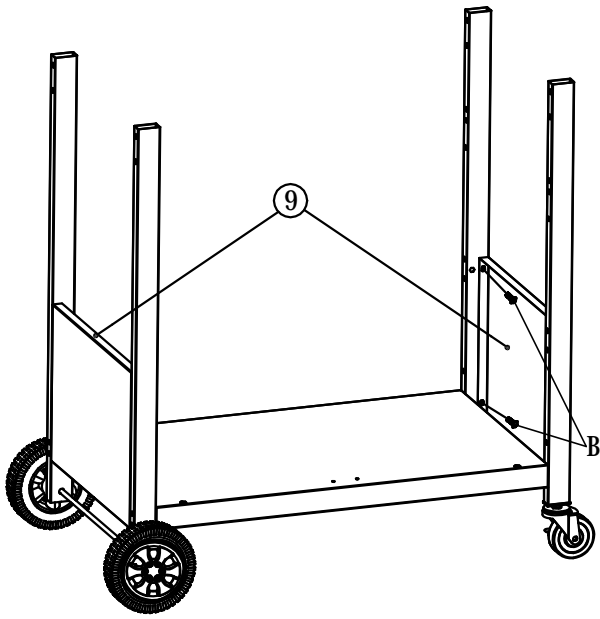


D		2PCS
---	--	------

E		2PCS
---	---	------

A		4PCS
---	---	------

5

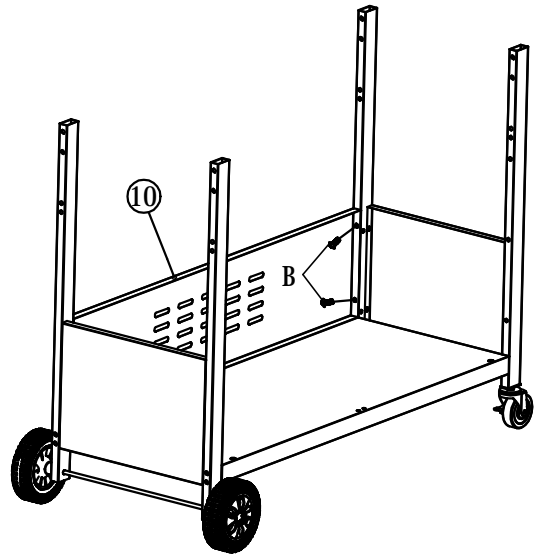


B



8PCS

6

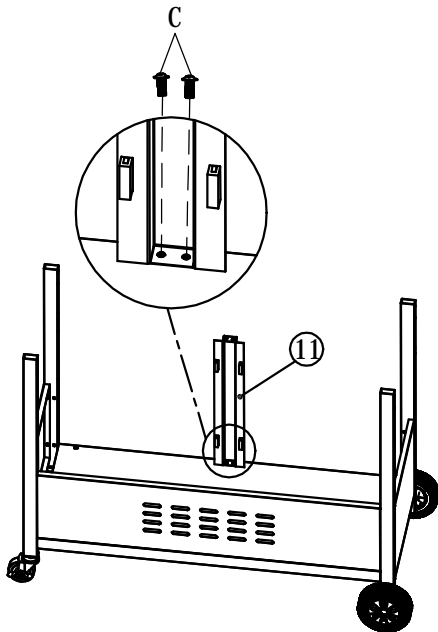


B



4PCS

7

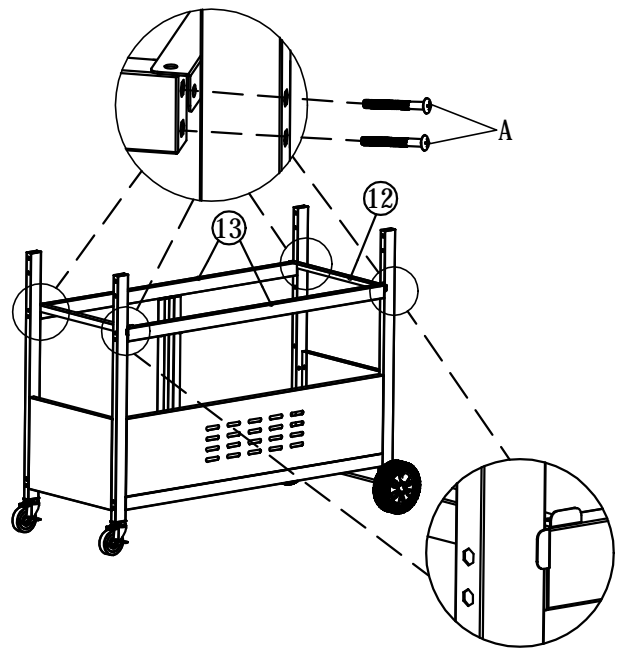


C

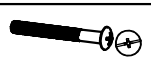


2PCS

8

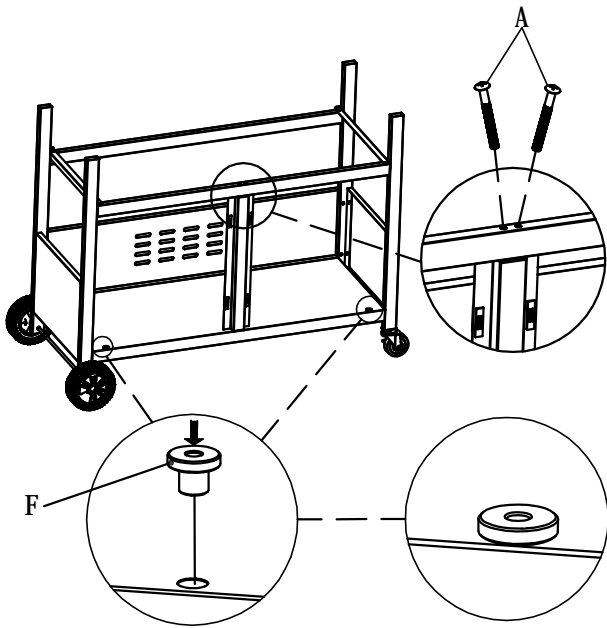


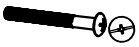

A



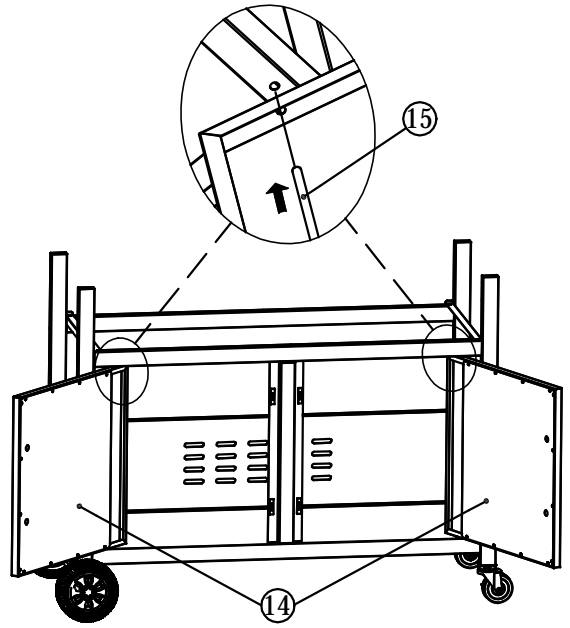
8PCS

9

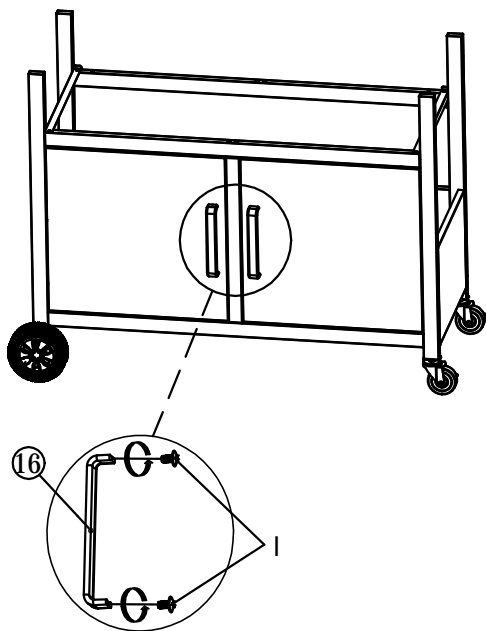



A		2PCS
F		2PCS

10

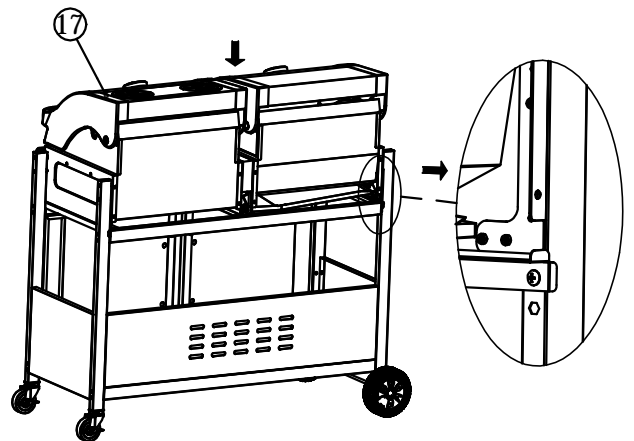


11

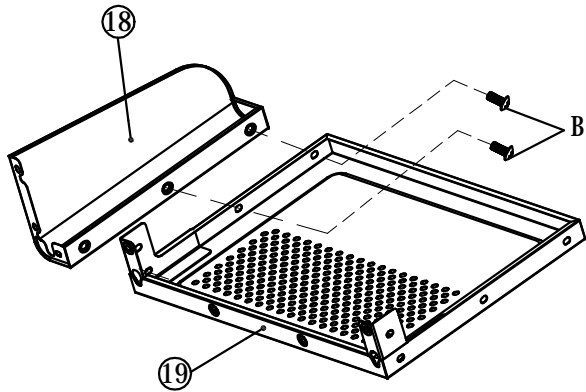


I		4PCS
---	---	------

12

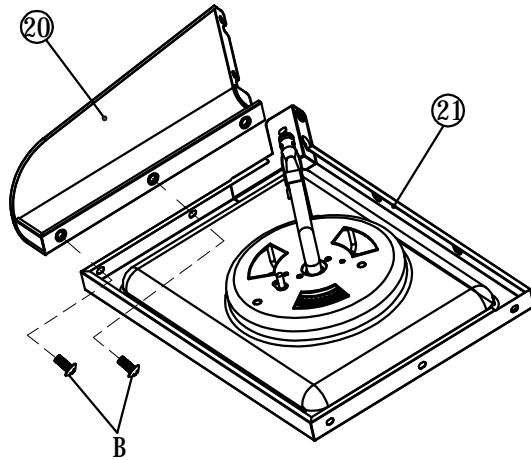



13



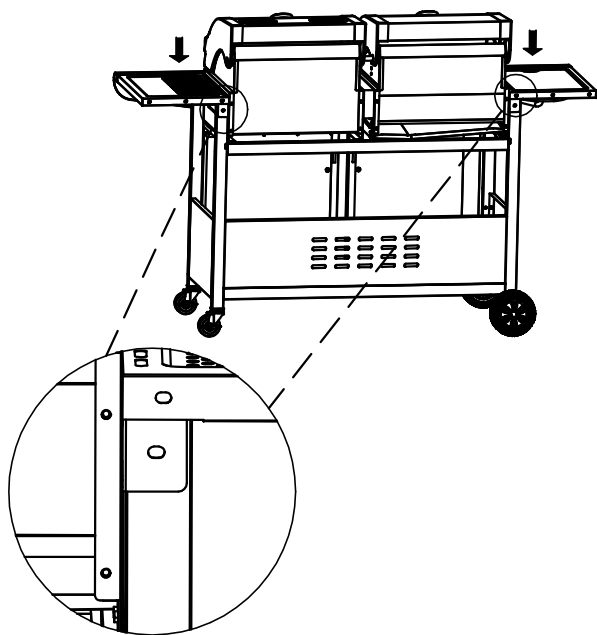
B		2PCS
---	---	------

14

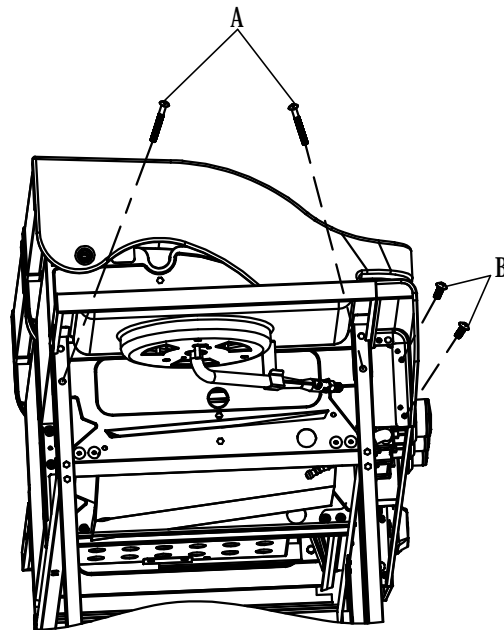


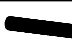

B		2PCS
---	---	------

15

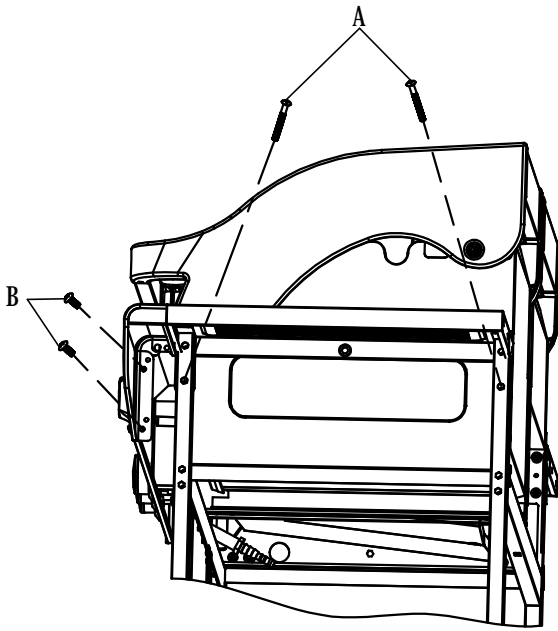




16



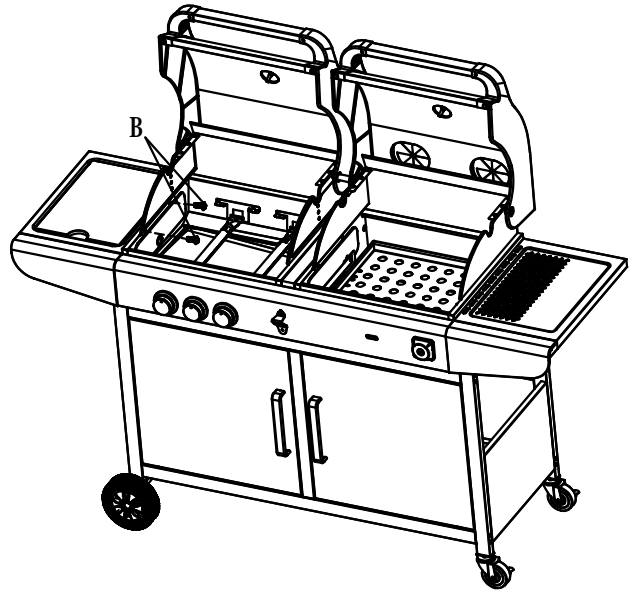
A		2PCS
B		2PCS


17



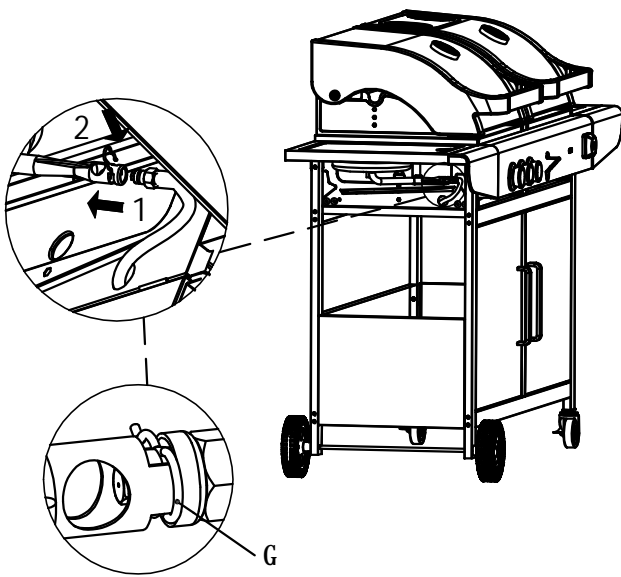
A		2PCS
B		2PCS


18



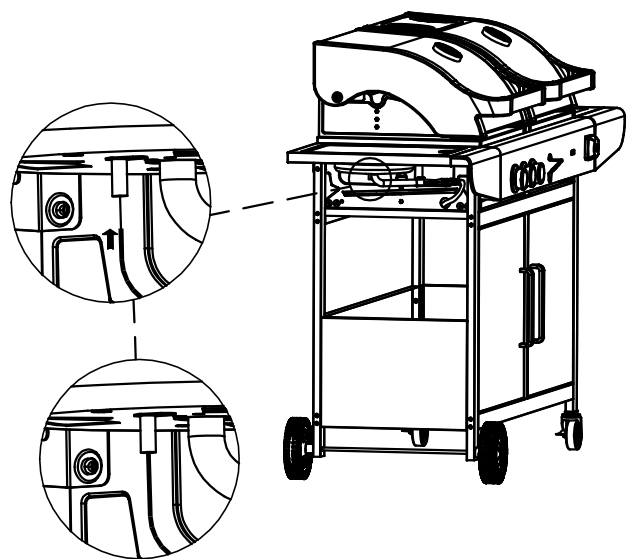
B		4PCS
---	---	------

19

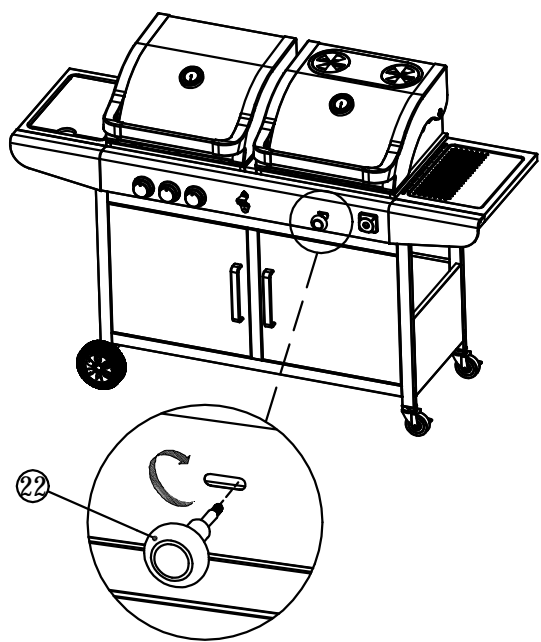


G		1PC
---	---	-----

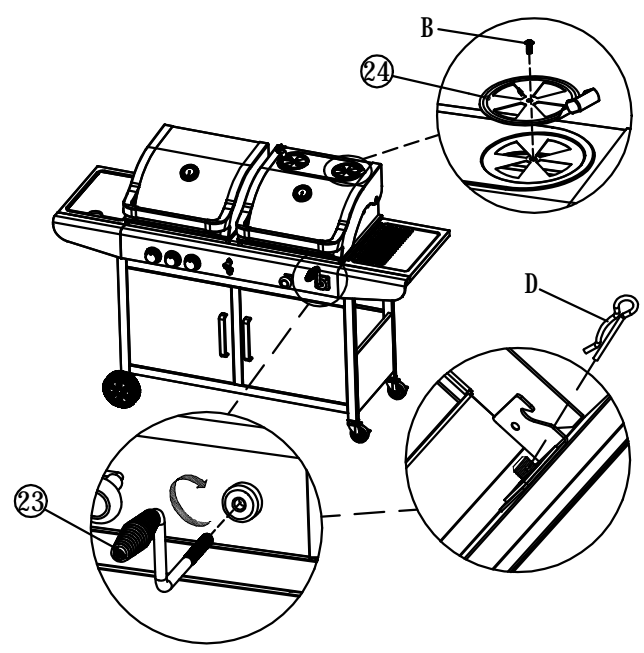
20



21

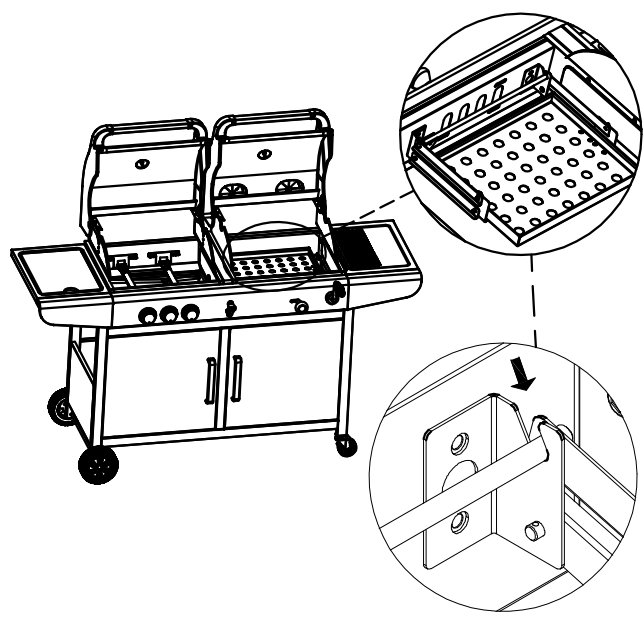


22

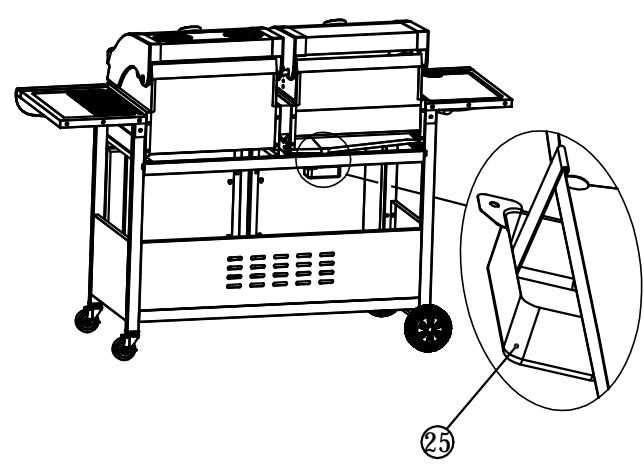


D		1PC
B		2PCS

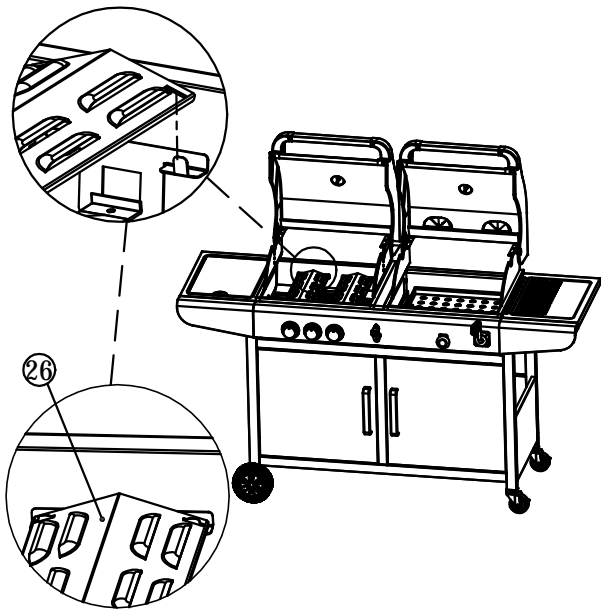
23



24



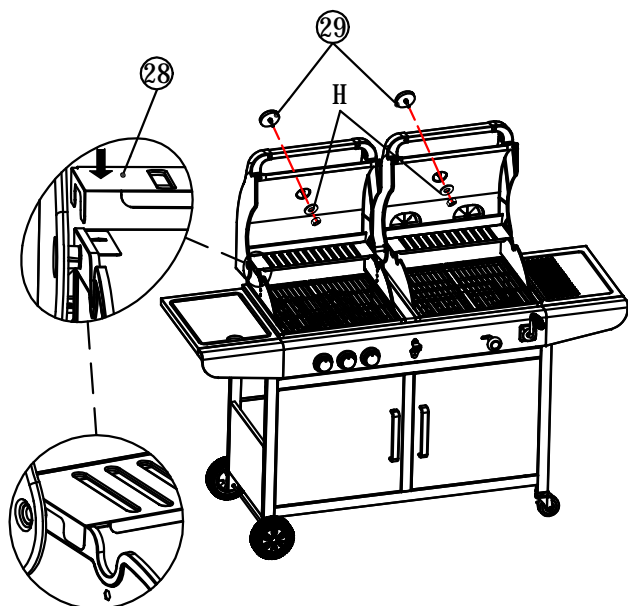
25



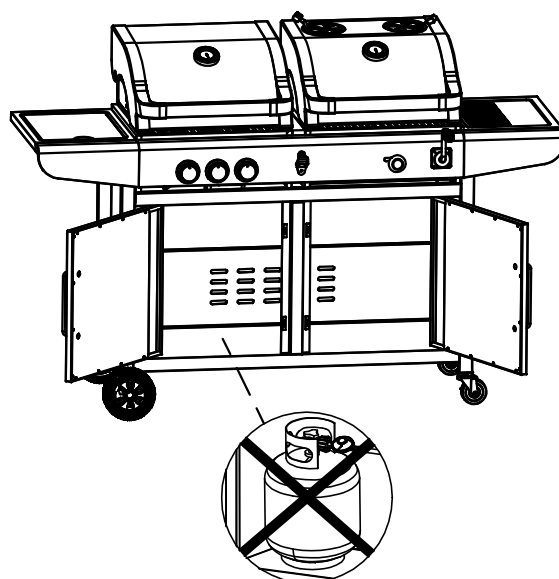
26



27



28



H



2PC